

# NPA

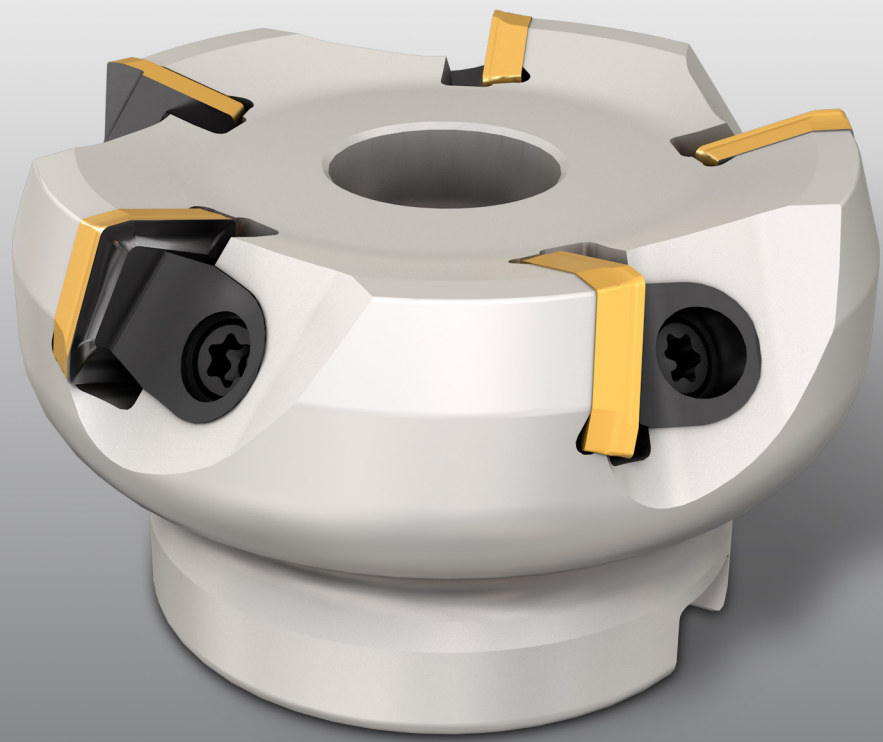
New Product Announcement

MILLING

11-2020

APRIL 2020 • METRIC

PAGE 1 / 3



## **ISCAR***MILL*

### **New ISCARMILL F75 Face Mills**

# ISCARMILL

## Highlights

**ISCAR is upgrading the ISCARMILL F75 family of 75° indexable face milling cutters, which carry single-sided square inserts SPK... , by introducing new milling cutters that are intended for mounting the same inserts**

The new cutters, designated as F75...-M, are available in a shell mill configuration and feature an advanced design for better productivity. In accordance with the new design, the inserts that are mounted in the cutters F75...-M are clamped with the use of a wedge system, providing high clamping reliability and high repeatability for positioning **an insert active cutting edge**. In addition, the wedge clamping principle enables quick and easy mounting of the inserts and their indexing.

### **The main features of the new cutters are as follows:**

- 50 - 125 mm cutter diameter range
- Shell mill design configuration
- Clamping inserts by wedge for reliable, quick and easy securing of the inserts and their indexing
- Coolant holes directed to each active cutting edge of the mounted inserts for effective coolant supply through the cutter body
- Silver-grayish protective plating is applied to the cutter bodies, ensuring increased body tool life due to improved anti-scratch and abrasive-resistance properties and high anti-corrosion protection

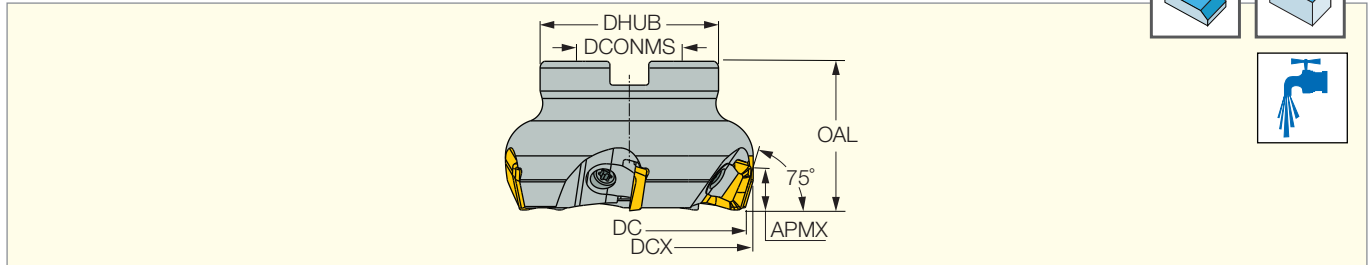
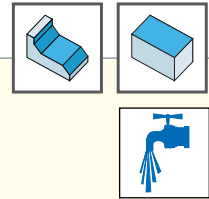
### **Applications**

- Machining main engineering materials such as carbon and alloy steel, cast iron and stainless steel
- Wide range of face milling operations
- Broad range of usage in various industrial branches

## ISCAR MILL

### F75-M

75° Face Mills with SPKN/SPKR 1203.. Inserts



Designation	DC	DCX <sup>(1)</sup>	CICT <sup>(2)</sup>	APMX	OAL	DHUB	DCONMS	Arbor	MIID <sup>(3)</sup>	kg
F75 D050-04-16-M	50.00	55.70	4	9.50	40.00	38.00	16.00	A	SPKN 1203EDTR	0.50
F75 D063-05-22-M	63.00	68.70	5	9.50	40.00	48.00	22.00	A	SPKN 1203EDTR	0.62
F75 D080-06-27-M	80.00	85.70	6	9.50	50.00	60.00	27.00	B	SPKN 1203EDTR	1.09
F75 D100-07-32-M	100.00	105.70	7	9.50	50.00	78.00	32.00	B	SPKN 1203EDTR	2.20

<sup>(1)</sup> Cutting diameter maximum <sup>(2)</sup> Cutting item count <sup>(3)</sup> Master insert identification

### Spare Parts



Designation	Screw	Torx Blade	T-Handle
F75 D050-04-16-M	SR M8X30DIN912	BLD IP20/S7	SW6-T
F75 D063-05-22-M	SR M10X25 DIN912	BLD IP20/S7	SW6-T
F75 D080-06-27-M		BLD IP20/S7	SW6-T
F75 D100-07-32-M		BLD IP20/S7	SW6-T