

NPA

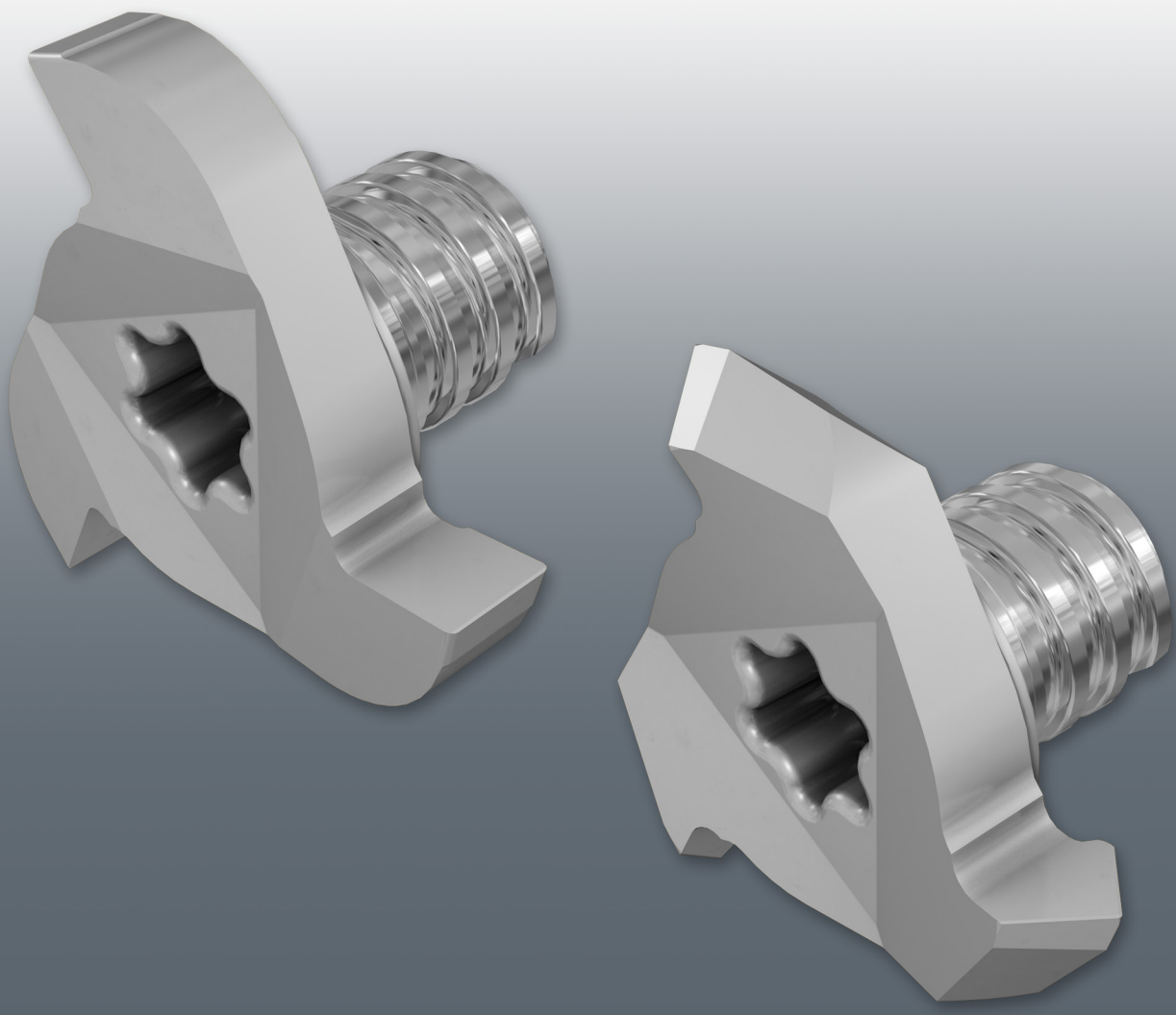
New Product Announcement

MILLING

04-2021

JANUARY 2021 • INCH

PAGE 1 / 4



MULTI-MASTER
INDEXABLE SOLID CARBIDE LINE

Upgrading Multi-Master Groove Milling Tools with New Clamping Options with an Expanded Range of Carbide Grades for Improved Machining

Highlights

New heads in a new grade with a torx socket for easy and controlled clamping

Following the recent introduction of new interchangeable solid carbide groove milling heads, ISCAR expands the Multi-Master family with a new MM GRIT which has a Torx socket.

The new MM GRIT head size range sizes .618" to .697" and have a TORX socket which assures better clamping torque for securing the head.

There are several head clamping options as follows:

- By use of an ISCAR key which has TORX-tipped exchangeable blades.
- Applying an adjustable torque wrench (3340289 TORQUE WRENCH 5-50Nm 9X12) for accurate tightening.

The new heads are available in the IC908 submicron carbide grade.

This grade improves groove milling performance, particularly when machining hardened steel, cast iron, ferritic and martensitic stainless steel (ISCAR material groups 9, 11-13, 38 and 40).

The new MM GRIT 16 and 18 heads have a MULTI-MASTER T06 thread connection and can be mounted on regular Multi-Master shanks.

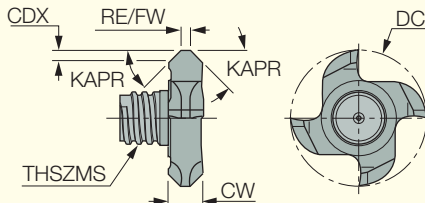
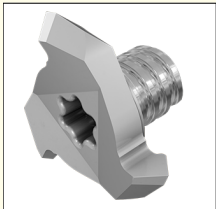
Expanding the Multi-Master family by introducing new heads expands the application range of the Multi-Master line. These new additions will enhance the Multi-Master range of products.

Multi-Master
The right tool for efficient groove milling.

MULTI-MASTER INDEXABLE SOLID CARBIDE LINE

MM GRIT-45A

Interchangeable Solid Carbide Small Diameter 45° Chamfering Heads



Designation	Dimensions									IC908
	DC	KAPR	CDX ⁽¹⁾	RE	FW	CW	THSZMS	NOF ⁽²⁾	∠	
MM GRIT18K-45A-3T6	.697	45.0	.055	.0039	.000	.137	T06	3	T-25/3°	●
MM GRIT18P-45A-3T6	.697	45.0	.055	.0039	.000	.137	T06	3	T-25/3°	●

- P-Type - Positive geometry for soft and gummy materials.
- K-Type - For general steel machining.
- Modification options on request.
- Do not apply lubricant to the threaded connection.

⁽¹⁾ Cutting depth maximum

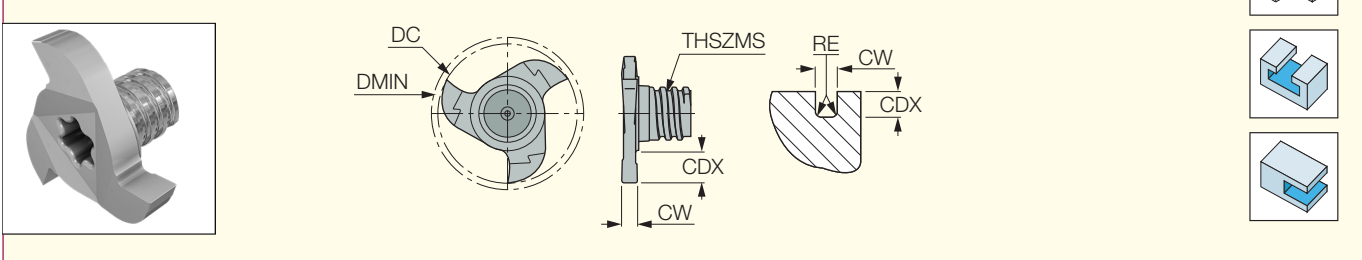
⁽²⁾ Number of flutes

* Optional, should be ordered separately

MULTI-MASTER
INDEXABLE SOLID CARBIDE LINE

MM GRIT-16K/P,18K/P 3T6

Interchangeable Solid Carbide Small Diameter Groove Milling Heads



Designation	Dimensions								IC908
	DC	CW	CDX ⁽¹⁾	NOF ⁽²⁾	RE	DMIN ⁽³⁾	THSZMS	∠	
MM GRIT16K150-010-3T6	.618	.059	.110	3	.0039	.630	T06	T-20/3*	●
MM GRIT16P150-010-3T6	.618	.059	.110	3	.0039	.630	T06	T-20/3*	●
MM GRIT16K157-020-3T6	.618	.062	.110	3	.0079	.630	T06	T-20/3*	●
MM GRIT16K200-020-3T6	.618	.079	.110	3	.0079	.630	T06	T-20/3*	●
MM GRIT16P220-110-3T6	.618	.087	.110	3	.0433	.630	T06	T-20/3*	●
MM GRIT16K239-020-3T6	.618	.094	.110	3	.0079	.630	T06	T-20/3*	●
MM GRIT16K250-020-3T6	.618	.098	.110	3	.0079	.630	T06	T-20/3*	●
MM GRIT16K300-020-3T6	.618	.118	.110	3	.0079	.630	T06	T-20/3*	●
MM GRIT16P300-020-3T6	.618	.118	.110	3	.0079	.630	T06	T-25/3*	●
MM GRIT16K317-020-3T6	.618	.125	.110	3	.0079	.630	T06	T-25/3*	●
MM GRIT18K120-005-3T6	.697	.047	.150	3	.0020	.709	T06	T-20/3*	●
MM GRIT18P120-060-3T6	.697	.047	.150	3	.0236	.709	T06	T-20/3*	●
MM GRIT18K140-005-3T6	.697	.055	.150	3	.0020	.709	T06	T-20/3*	●
MM GRIT18K150-010-3T6	.697	.059	.150	3	.0039	.709	T06	T-20/3*	●
MM GRIT18K157-020-3T6	.697	.062	.150	3	.0079	.709	T06	T-20/3*	●
MM GRIT18K170-005-3T6	.697	.067	.150	3	.0020	.709	T06	T-20/3*	●
MM GRIT18K200-020-3T6	.697	.079	.150	3	.0079	.709	T06	T-20/3*	●
MM GRIT18P200-100-3T6	.697	.079	.150	3	.0394	.709	T06	T-20/3*	●
MM GRIT18P220-110-3T6	.697	.087	.150	3	.0433	.709	T06	T-20/3*	●
MM GRIT18K239-020-3T6	.697	.094	.150	3	.0079	.709	T06	T-20/3*	●
MM GRIT18K250-020-3T6	.697	.098	.150	3	.0079	.709	T06	T-20/3*	●
MM GRIT18K300-020-3T6	.697	.118	.150	3	.0079	.709	T06	T-25/3*	●
MM GRIT18P300-150-3T6	.697	.118	.150	3	.0591	.709	T06	T-25/3*	●
MM GRIT18K317-020-3T6	.697	.125	.150	3	.0079	.709	T06	T-25/3*	●

- Recommended for O-rings and retaining rings
- Modification options on request
- Do not apply lubricant to the threaded connection
- K-Type - For general steel machining
- P-Type - Positive geometry for soft and gummy materials

⁽¹⁾ Cutting depth maximum

⁽²⁾ Number of flutes

⁽³⁾ Minimum bore diameter

* Optional, should be ordered separately