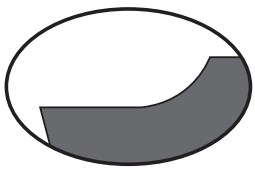
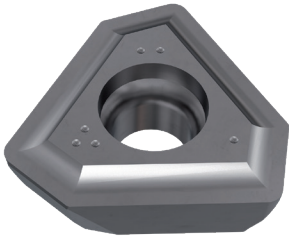
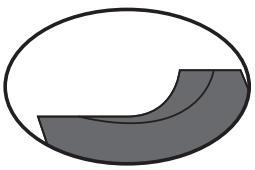
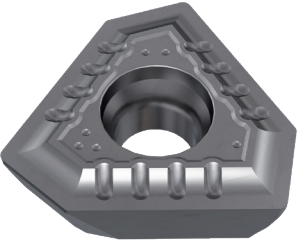


Chipbreaker Selection

G			B		
Versatile			Good chip control for heat-resistant alloy		