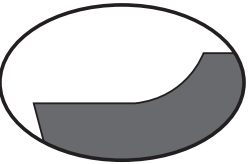
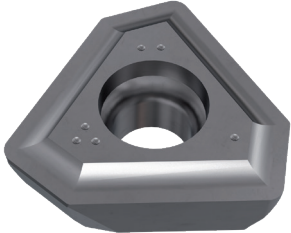
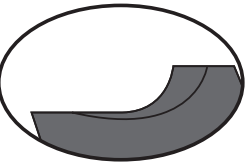
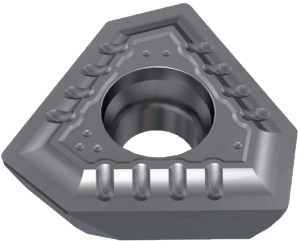
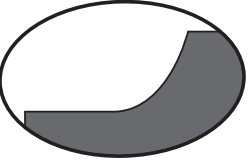
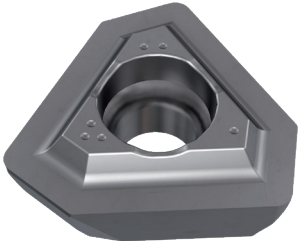
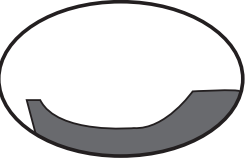
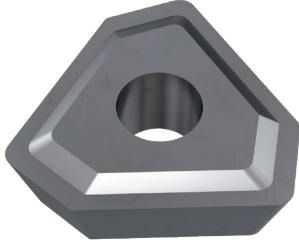


Chipbreaker Selection

G			B		
Versatile			Good chip control for heat-resistant alloy		
BG			DT		
Chip control for difficult-to-cut steel			To reduce machine load		