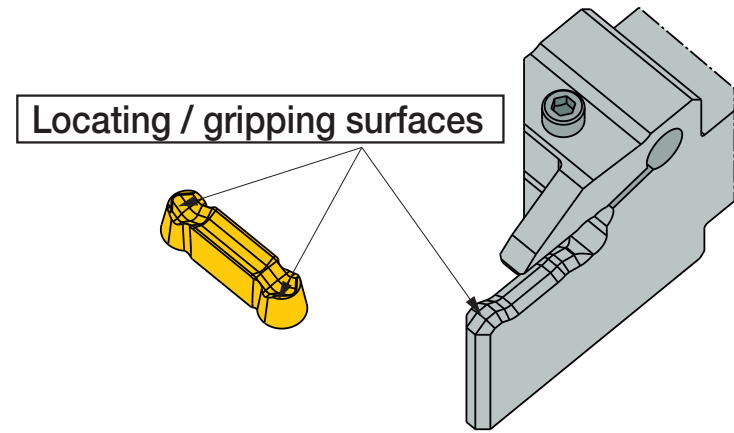
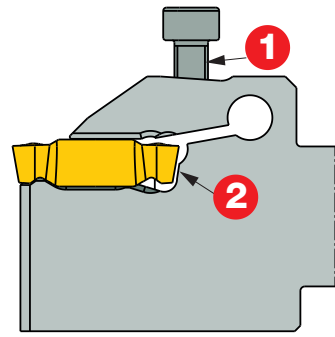
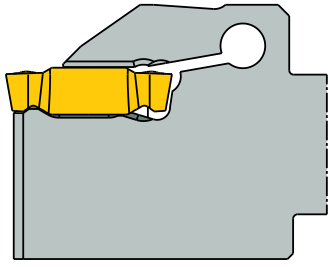
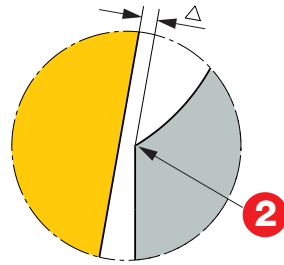


Insert Clamping Instructions



1. Position the insert in the pocket so the notch on the insert sits on top of the frontal bulge of the pocket
2. Close the clamping screw **1**



Warning

- Do not apply any force and do not hold the insert in place while closing the screw.
- There is no contact between the insert and pocket rear wall **2**