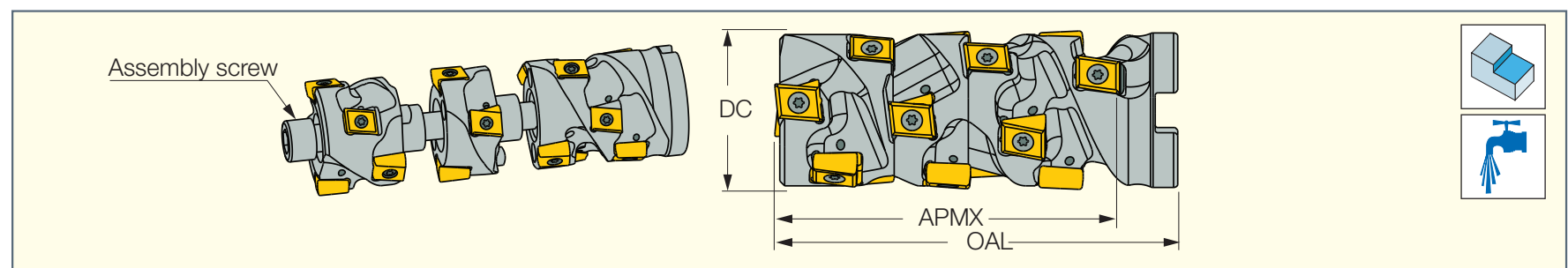


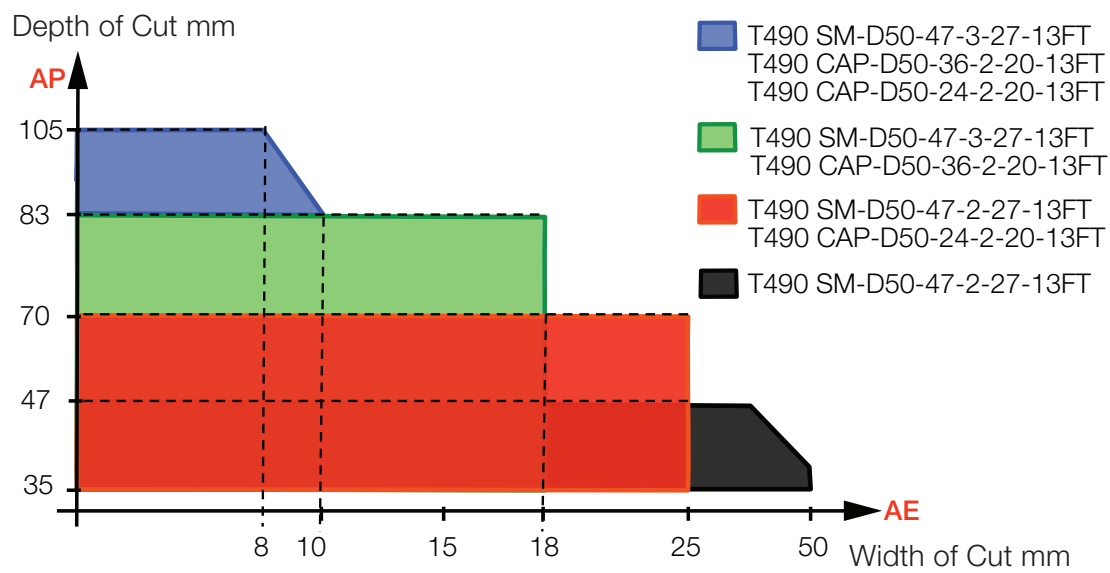
Modular Extended Flute Assembly



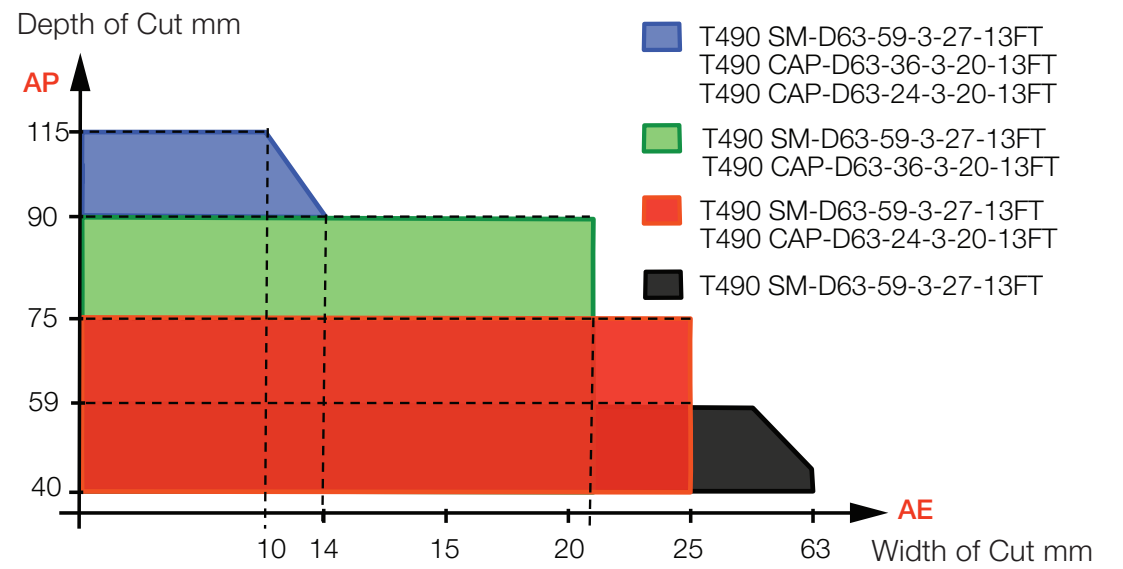
Shell Base Unit	Extension 1	Extension 2	DC	APMX	OAL	NOF	CICT	Assembly Screw
T490 SM-D50-47-2-27-13FT			47	66.5			8	SR M12x50 DIN912*
	T490 CAP-D50-24-2-20-13FT		50	71	90		12	SR M12x70 DIN912*
	T490 CAP-D50-36-2-20-13FT		50	83	102	2	14	SR M12x80 DIN912*
	T490 CAP-D50-24-2-20-13FT	T490 CAP-D50-24-2-20-13FT	50	94	113		16	SR M12x100 DIN912*
	T490 CAP-D50-24-2-20-13FT	T490 CAP-D50-36-2-20-13FT	50	106	125		18	SR M12x110 DIN912*
T490 SM-D63-59-3-27-13FT			59	80			15	SR M12x60 DIN912*
	T490 CAP-D63-24-3-20-13FT		63	82	103		21	SR M12x80 DIN912*
	T490 CAP-D63-36-3-20-13FT		63	94	115	3	24	SR M12x100 DIN912*
	T490 CAP-D63-24-3-20-13FT	T490 CAP-D63-24-3-20-13FT	63	106	127		27	SR M12x110 DIN912*
	T490 CAP-D63-24-3-20-13FT	T490 CAP-D63-36-3-20-13FT	63	117	138		30	SR M12x120 DIN912*
T490 SM-D80-70-4-32-13FT			70	95			24	SR M16x70 DIN912*
	T490 CAP-D80-24-4-25-13FT		80	94	118.4		32	SR M16x100 DIN912*
	T490 CAP-D80-36-4-25-13FT		80	106	130	4	36	SR M16x100 DIN912*
	T490 CAP-D80-24-4-25-13FT	T490 CAP-D80-24-4-25-13FT	80	118	143.2		40	SR M16x120 DIN912*
	T490 CAP-D80-24-4-25-13FT	T490 CAP-D80-36-4-25-13FT	80	130	154.8		44	SR M16x130 DIN912*

* Should be ordered separately.

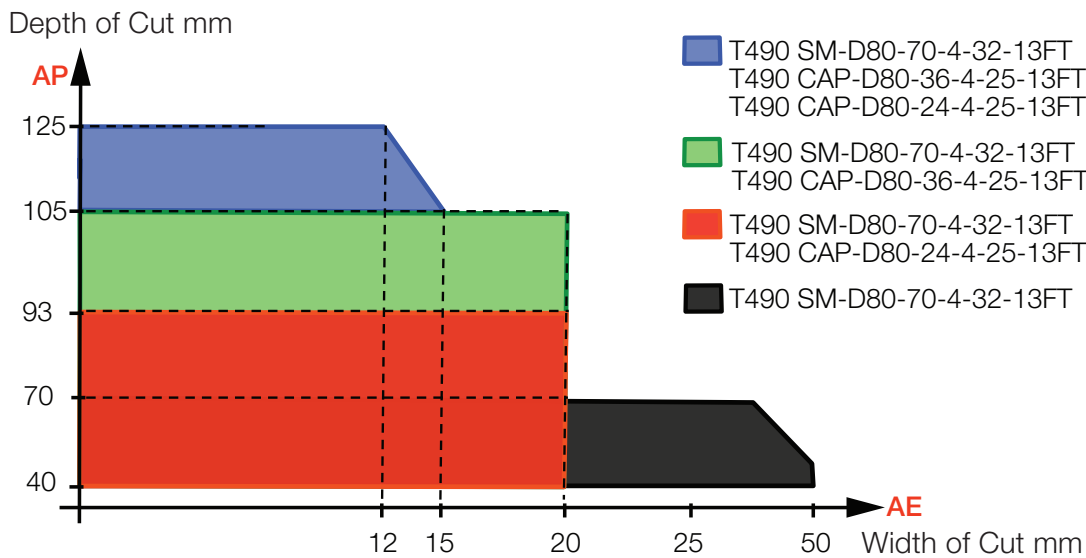
AP/AE Application Range for 50 mm Modular Extended Flute Cutters



AP/AE Application Range for 63 mm Modular Extended Flute Cutters



AP/AE Application Range for 80 mm Modular Extended Flute Cutters



Workpiece: Alloy Steel

