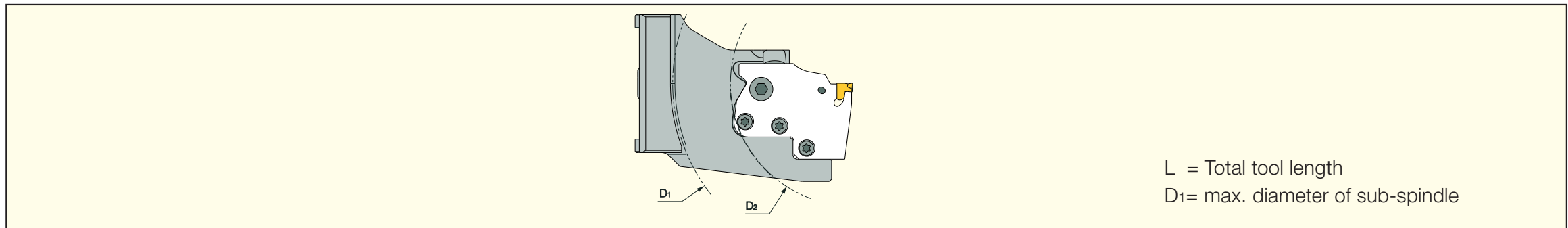


Intermediate holder spare parts

Designation	(1) Clamping Screw	(2) Dummy	(3) Height Adjustment Screw	(4) O-Ring	(5) Screw	(6) Screw	(7) O-Ring
V## MAHD#-#-XL-##-JHP	SR M6x16DIN912 12.9	Dummy-MG-XL-5113377	SR 14-0194-5113373	O RING 8x3 NBR 70	SR M5-04451	SR M6x10DIN6912	OR 5x1N

Tool dimensions with Adapter



Adapter	V## MAHD#-#- XL-SH-JHP		V## MAHD#-#- XL-JHP		V## MAHD#-#- XL-LH-JHP	
	D1	D2	D1	D2	D1	D2
DGPAD ...-D22-JHP	99	46	147	94	200	147
DGPAD ...-D32-JHP	99	46	147	94	200	147
TAGPAD ...-D42-JHP	104	52	152	100	205	153
TAGPAD ...-D52-JHP	114	62	162	110	215	163
TAGPAD-XL ...-D52-JHP	114	62	162	110	215	163
TAGPAD-XL ...-D65-JHP	127	70	175	118	228	171
TAGPAD-XL ...-D82-JHP	146	86	194	134	247	187
TAGPAD-XL ...-D102-JHP	170	107	218	155	271	208

