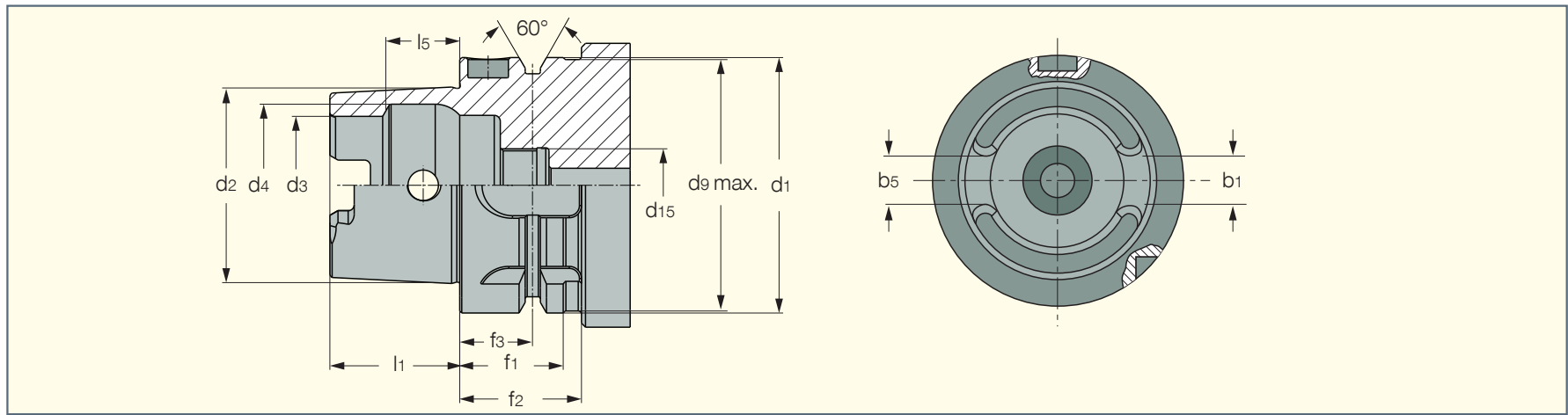
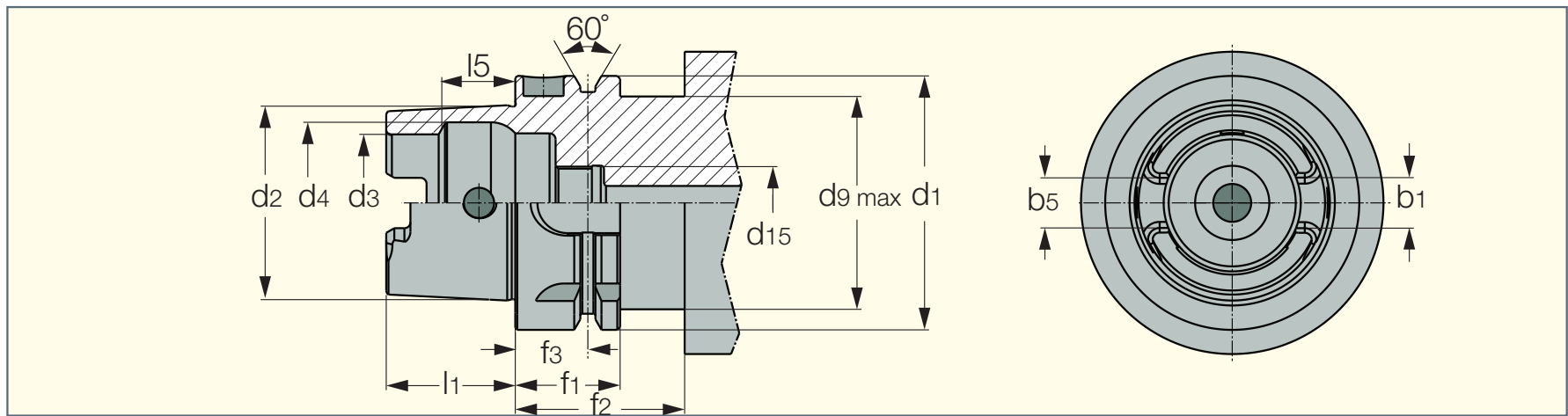


HSK A WH Complies with ICTM Standards (ISO 12164-3)



HSK-A WH	d1 h10	d2	d3 H10	d4 H11	d9 max	d15	l1-0.2	l5 Js10	b1±0.04	b5±0.035	f1 -0.1	f2 min	f3 ±0.1
63	63	48	34	40	62	M18X1	32	18.13	12.54	12.425	26	30	18
100	100	75	53	63	99	M24X1.5	50	28.56	20.02	19.91	29	34	20

HSK A TM Suitable for all Multi-Tasking Machines Models



HSK A-TM	d1 h10	d2	d3 H10	d4 H11	d9 max	d15	l1-0.2	l5 JS10	b1±0.04	b5±0.035	f1-0.1	f2 min	f3±0.1
63	63	48	34	40	52.8	M18x1	32	18.13	12.54	12.425	26	42	18

HSK A vs. HSK A...WH Tolerance

