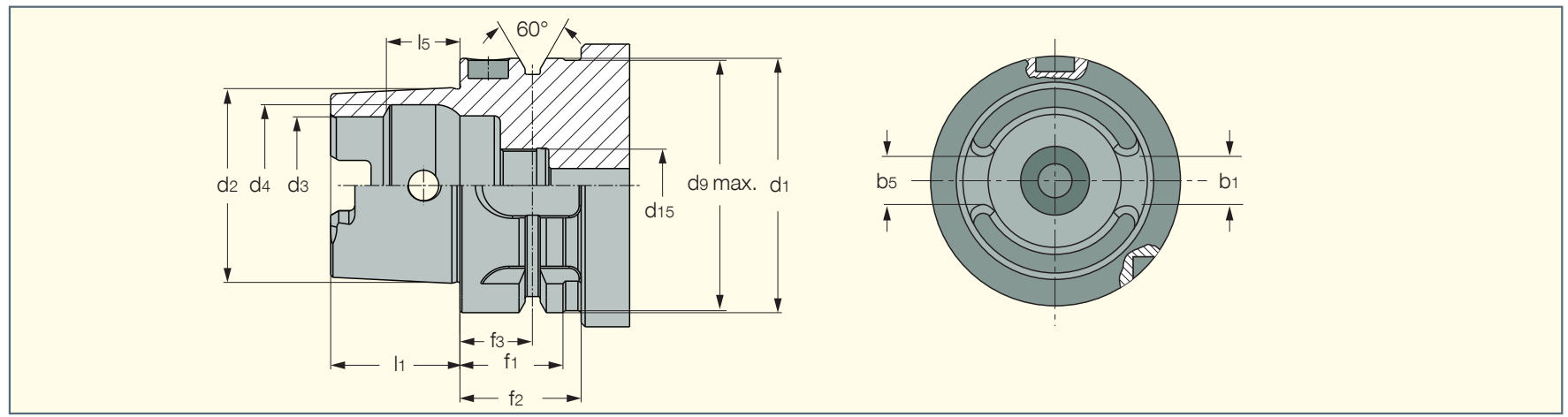
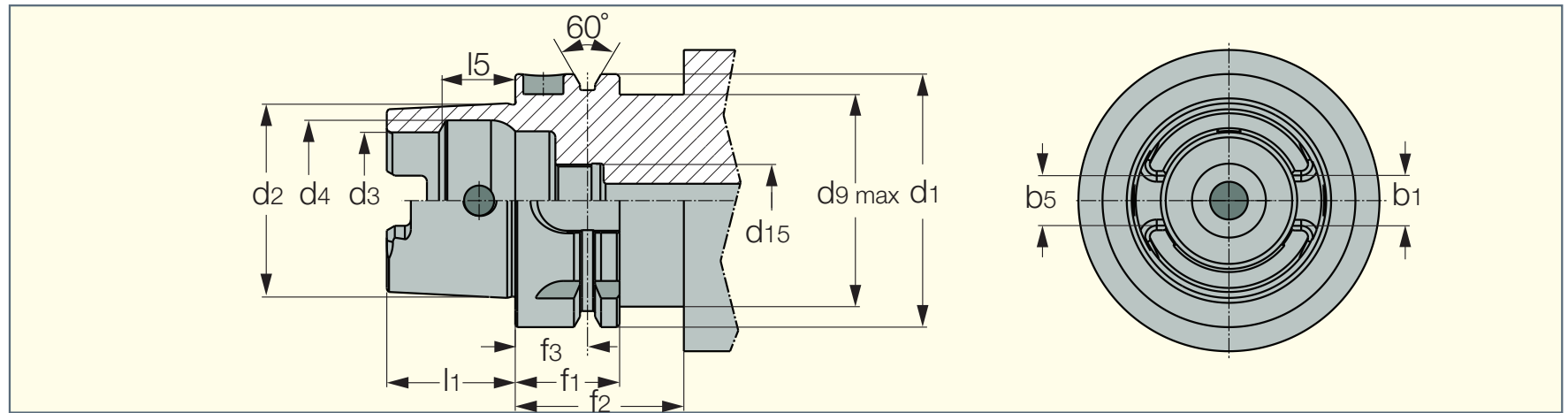


HSK A WH Complies with ICTM Standards (ISO 12164-3)



HSK-A WH	d_1 h10	d_2	d_3 H10	d_4 H11	$d_9 \text{ max.}$	d_{15}	$l_1-0.2$	l_5 Js10	$b_1 \pm 0.04$	$b_5 \pm 0.035$	$f_1 -0.1$	$f_2 \text{ min}$	$f_3 \pm 0.1$
63	63	48	34	40	62	M18X1	32	18.13	12.54	12.425	26	30	18
100	100	75	53	63	99	M24X1.5	50	28.56	20.02	19.91	29	34	20

HSK A TM Suitable for all Multi-Tasking Machines Models



HSK A-TM	d_1 h10	d_2	d_3 H10	d_4 H11	$d_9 \text{ max.}$	d_{15}	$l_1-0.2$	l_5 JS10	$b_1 \pm 0.04$	$b_5 \pm 0.035$	$f_1 -0.1$	$f_2 \text{ min}$	$f_3 \pm 0.1$
63	63	48	34	40	52.8	M18x1	32	18.13	12.54	12.425	26	42	18

HSK A vs. HSK A...WH Tolerance

