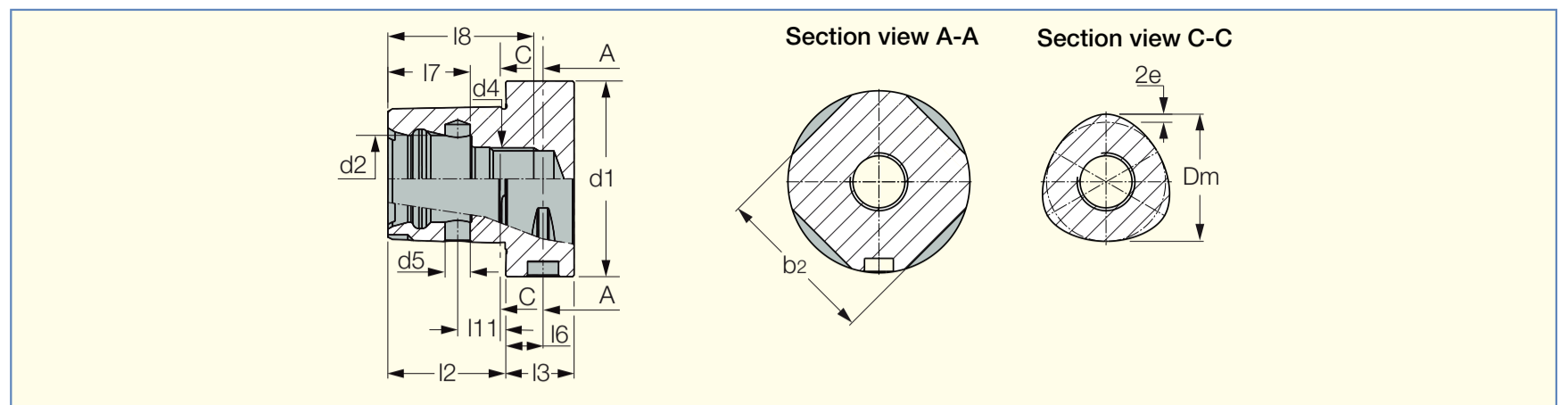


**CAMFIX**

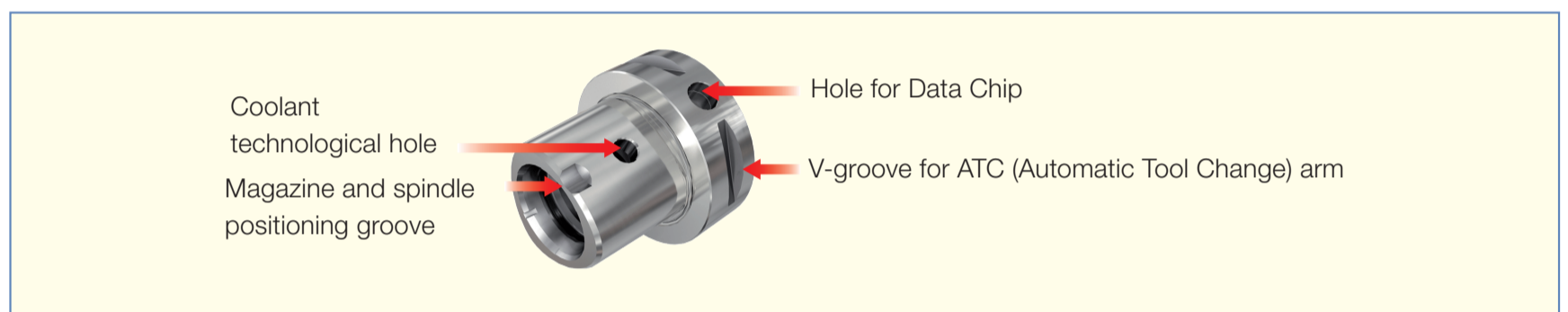
**CAMFIX ISO 26623-1**

Toolholder Standard



CAMFIX	b2	d1 ±0.1	d2	d4	d5 ±0.1	Dm	e	l1	l2 ±0.1	l3 min	l6 ±0.15	l7 ±0.15	l8 min	l11 ±0.1
<b>C3</b>	28.3	32	15	M12x1.5	3.6	22	0.7	2.5	19	15	6	13	25	8
<b>C4</b>	35.3	40	18	M14x1.5	4.6	28	0.9	2.5	24	20	8	15	30	8
<b>C5</b>	44.4	50	21	M16x1.5	6.1	35	1.12	3	30	20	10	20	37	14
<b>C6</b>	55.8	63	28	M20x2	8.1	44	1.4	3	38	22	12	27	47	15.5
<b>C8</b>	71.1	80	32	M20x2	9.1	55	2	3	48	30	12	28	48	25
<b>C8X</b>	88.7	100	32	M20x2	9.1	55	2	3	48	32	16	28	48	25
<b>C10</b>	88.3	100	43	M20x2	12	72	2.8	3	60	36	16	40	70	26.5

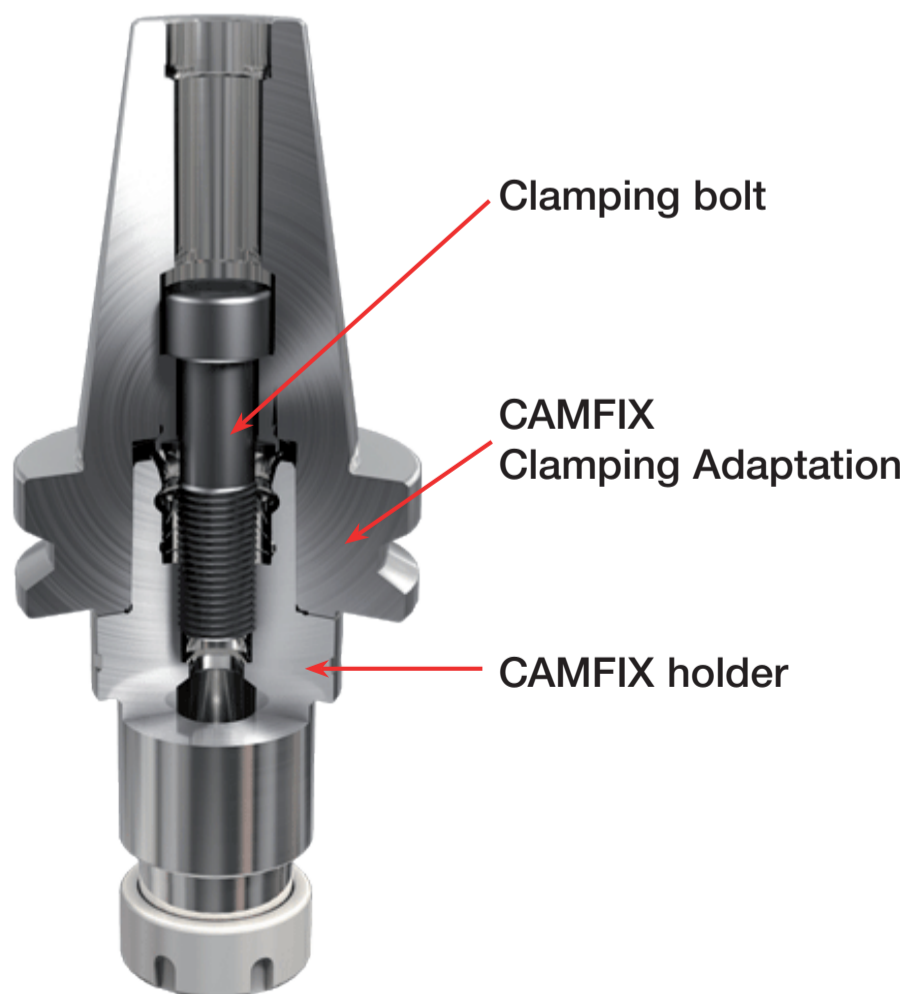
**CAMFIX - ISO 26623-1  
Standard Quick Change  
Shanks**



**Features**

- Symmetrical design: Due to the symmetrical design, the torque load is distributed on the polygon, providing a self-centering effect.
- Rigidity: The **CAMFIX** clamping mechanism is extremely rigid against bending forces.
- Accuracy: The taper and face contact ensure high repeatability within 2 microns, when operated with an automatic tool changer.

**Recommended Tightening Torque for Center Bolt Clamping**



Center Bolt Clamping		
Connection size code	Torque N x m	Torque lbf x ft
C3	45	33
C4	55	40
C5	95	70
C6	170	125
C8	170	125
C10	380	277