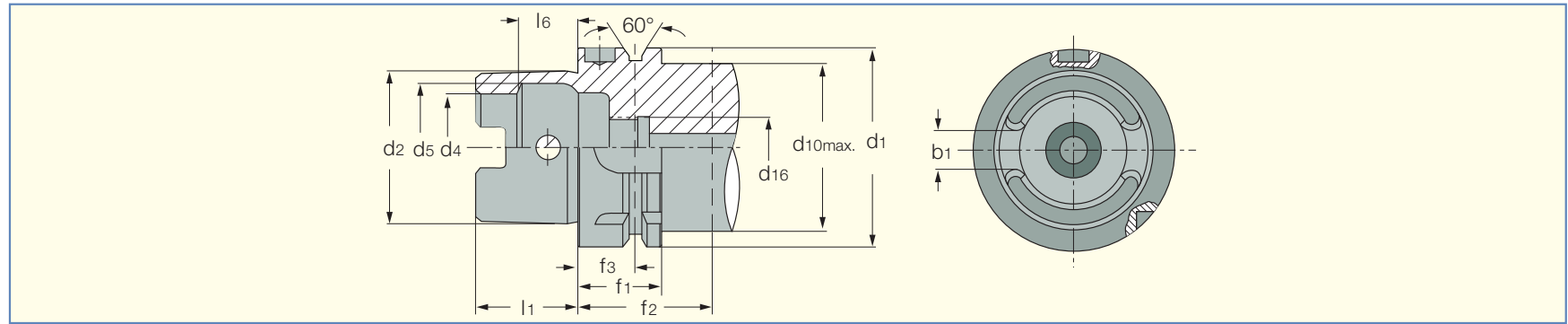


HSK DIN 69893 (ISO 12164-1 Standard)

DIN 69893 Form A



HSK-A	$d_1 h_{10}$	d_2	$d_4 H_{10}$	$d_5 H_{11}$	d_{10max}	d_{16}	$l_1 -0.2$	$l_6 Js_{10}$	$b_1 \pm 0.04$	$f_1 -0.1$	$f_2 min$	$f_3 \pm 0.1$
40	40	30	21	25.5	34	M12x1	20	11.42	8.05	20	35	16
50	50	38	26	32.0	42	M16x1	25	14.13	10.54	26	42	18
63	63	48	34	40.0	53	M18x1	32	18.13	12.54	26	42	18
80	80	60	42	50.0	67	M20x1.5	40	22.85	16.04	26	42	18
100	100	75	53	63.0	85	M24x1.5	50	28.56	20.02	29	45	20