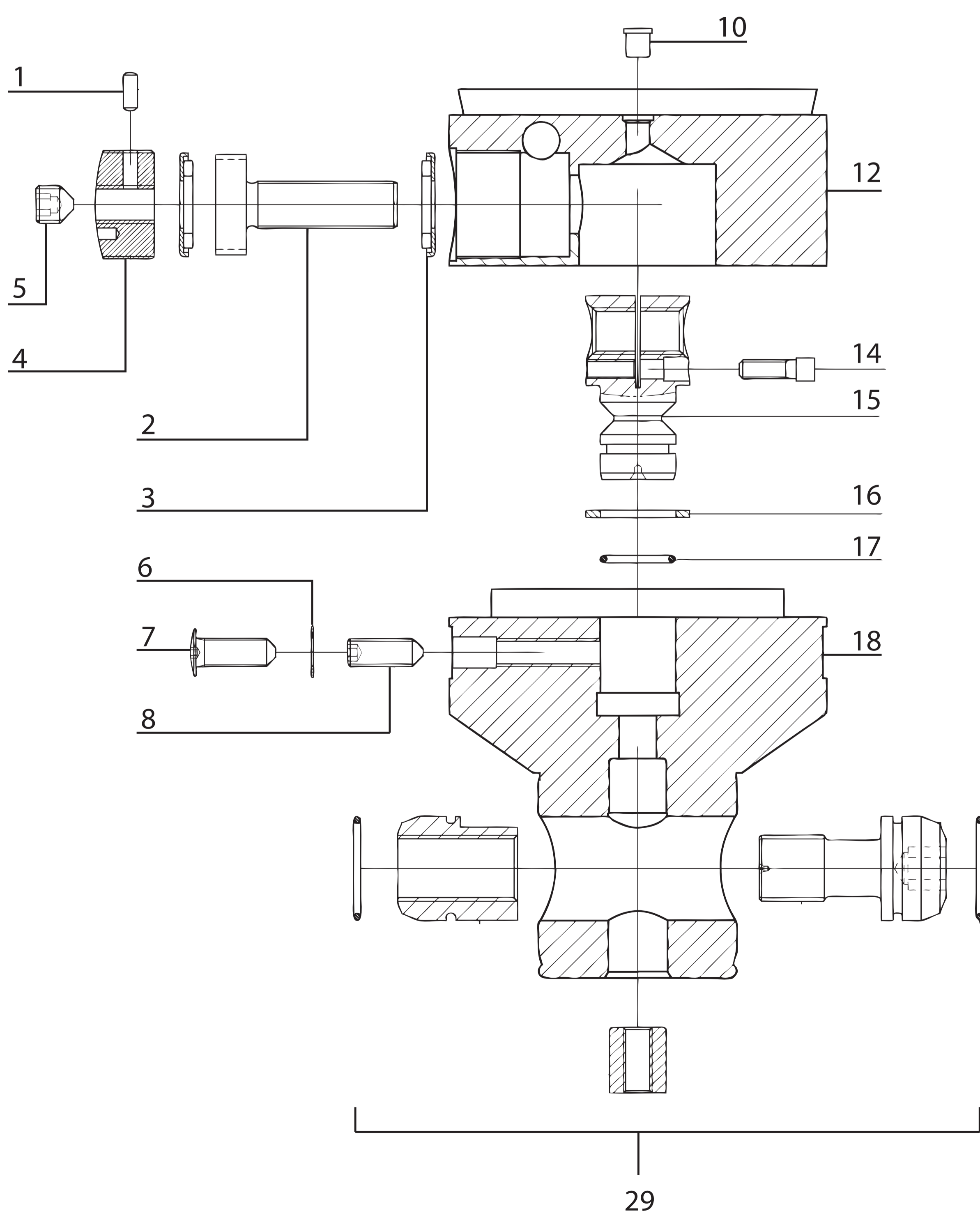
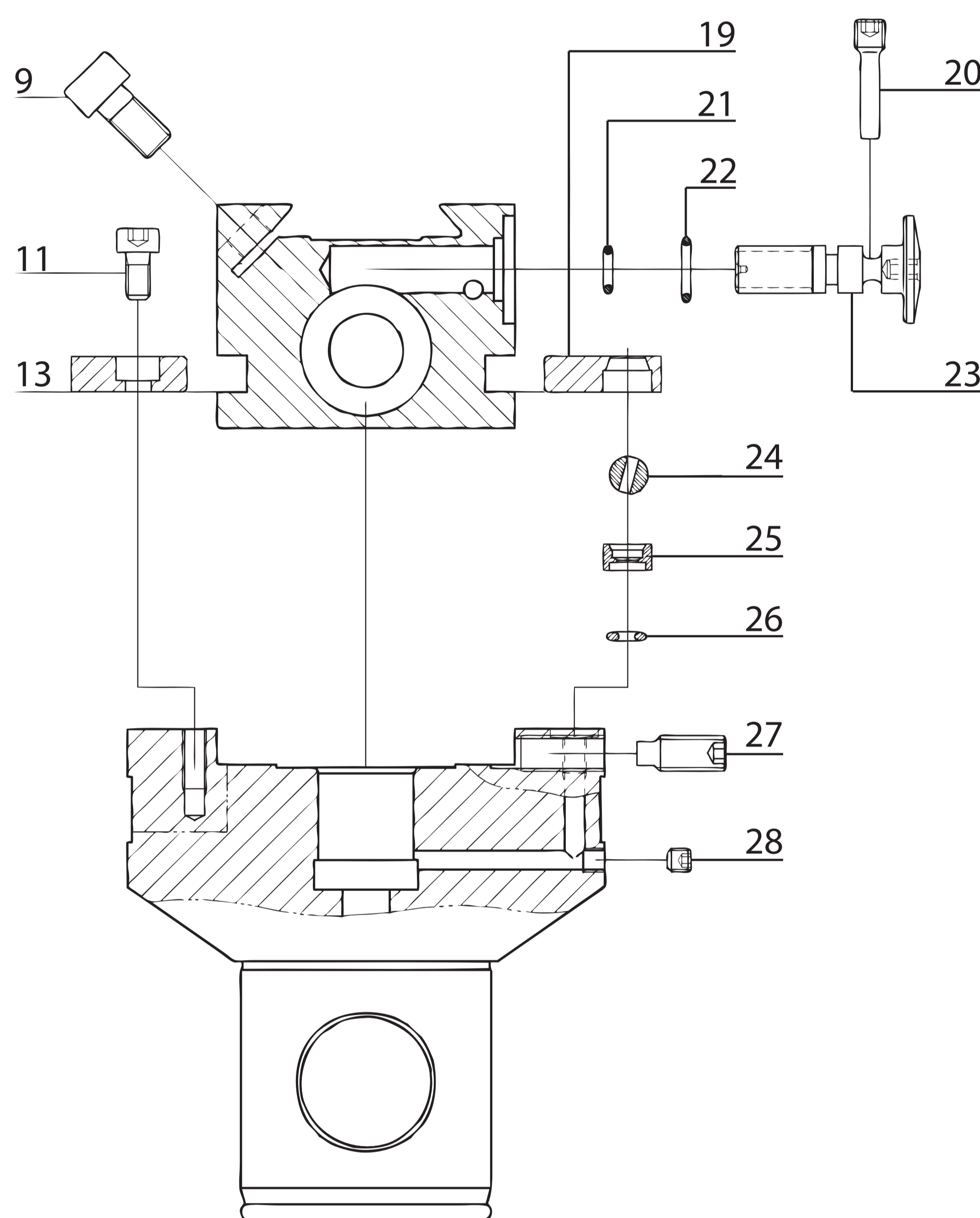
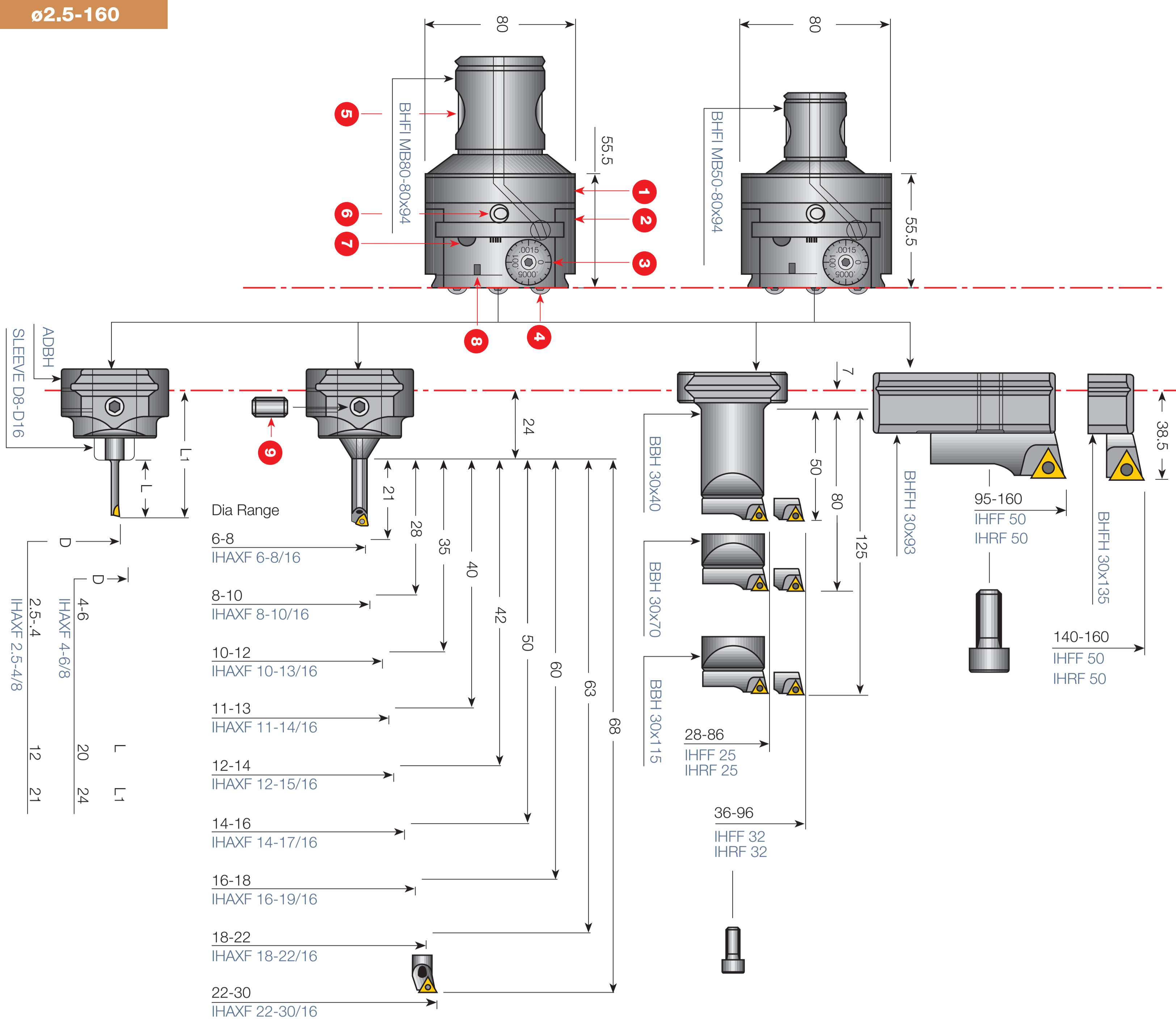


- 1 Body
- 2 Tool Slide
- 3 Graduated Dial
- 4 Toolholder Locking Screw
- 5 Expansion Pin
- 6 Slide Locking Screw
- 7 Coolant Nozzle
- 8 Oiling Nipple
- 9 Toolholder Locking Screw



29	BH MB63/80 COUPLING SET	1	4550351
28	SR M4X4DIN913 45H	1	7001032
27	SR M6X14DIN915 45H	1	7000722
26	OR 2.9X1.78N	1	7001050
25	BH-F NOZZLE SEAT D6.5X4.4	1	4550907
24	BH-F NOZZLE D6.5	1	4550889
23	BH-F GR.DIAL 80	1	4550664
22	OR 8X1.5N	1	7001011
21	OR 2X1.8N	1	7001040
20	BH-F DIAL SR M5X19.5	1	4550856
19	BH-F FRONT GIB 80	1	4550906
18	BH-F MAIN BODY 80/80	1	4550986
17	OR 12.42X1.78N	1	7001010
16	BH WASHER D22X1.5	1	4550903
15	BH-F SPRING NUT 80/125	1	4550901
14	BH-F GIB LOCK SR M4X12	1	4550899
13	BH-F BACK GIB 80	1	4550905
12	BH-F TOOL SLIDE 80	1	4550737
11	SR M4X8DIN912 12.9	8	7002222
10	GREASE NIPPLE 5MM STRGHT	1	7001045
9	SR M6X12DIN912 12.9	3	7000191
8	SR M6X16DIN914 45H	1	7001052
7	BH LABEL LOCK SR M6X17	1	4550904
6	BH LABEL 80	1	4550900
5	SR M8X8DIN914 45H	1	7001026
4	BH-F BRING NUT 80/125	1	4510203
3	THRUST BEARING AX10/22	2	7001056
2	BH-F LEAD SCREW 80/125	1	4550902
1	PIN D3X8 UNI 1707	1	7001053
No.	Item / Designation	Qty.	Dwg/Cat.no.